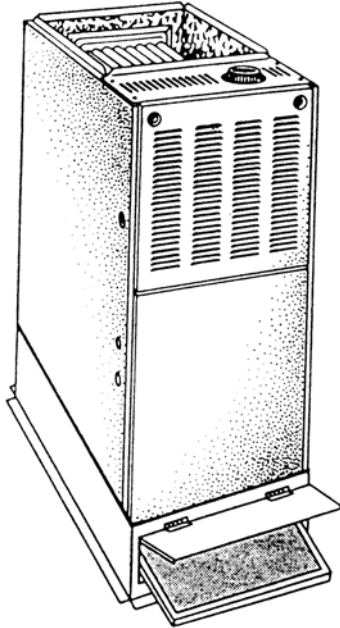
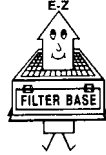


# EASY ACCESS GAS FURNACE FILTER BASE

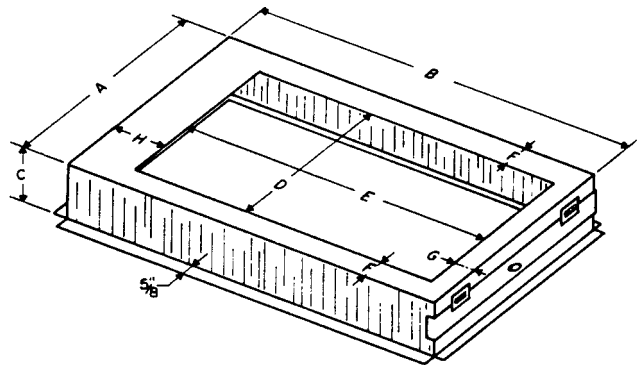
“Make It E-Z For Your Customer”



Typical Installation With Upflow Gas Furnace



- Lift Access Door - Remove Filter
- No Unit Panels or Door To Remove
- Use Standard Size Filter
- Keeps Evaporator Coils Clean
- More Efficient Heating & Cooling
- Customized Professional Installations
- Creates Customer Referrals
- Accepts 1" or 2" Filter
- Application - Upflow / Horizontal



## 80% Furnace Models And Filter Base Required

FURNACE MODELS	FILTER BASE REQUIRED	FURNACE MODELS	FILTER BASE REQUIRED	FURNACE MODELS	FILTER BASE REQUIRED
BGU05010A	EZ-1625	BGU07516A	EZ-2025	BGU12520A	EZ-2424
BGU07512A	EZ-1625	BGU10016A	EZ-2025	BGU15020A	EZ-2424

## Multi-Position Furnace Models And Filter Base Required

BGM05012AU	EZ-1625	BGM07516AU	EZ-2025	BGM10020AU	EZ-2424
BGM07512AU	EZ-1625	BGM10016AU	EZ-2025	BGM12520AU	EZ-2424

## Physical Data And Specifications

MODEL NUMBER	OVERALL			OPENING		TOP			GAUGE METAL	APPROX. WEIGHT	FILTER SIZE*
	A	B	C	D	E	F	G	H			
EZ-1425	14 1/4	28 5/8	4	11 3/4	24 5/8	1 1/4	1	3	22	9 LBS.	14 x 25
EZ-1625	17 5/8	28 5/8	4	15 1/8	24 5/8	1 1/4	1	3	22	10 LBS.	16 x 25
EZ-2025	21 5/8	28 5/8	4	19 1/8	24 5/8	1 1/4	1	3	22	10 LBS.	20 x 25
EZ-2424	24 5/8	28 5/8	4	22 1/8	24 5/8	1 1/4	1	3	22	11 LBS.	24 x 24

NOTE: \* Accepts 1" Or 2" Filter  
 FILTER NOT INCLUDED  
 Suitable For Use With Disposable Or  
 Electrostatic Washable Type Filters

U.S. PATENT NO. 4,827,901  
 U.S. PATENT NO. 4,919,123

**E-Z FILTER BASE MFG., INC.**

P.O. BOX 180954 - DALLAS, TEXAS 75218-0954