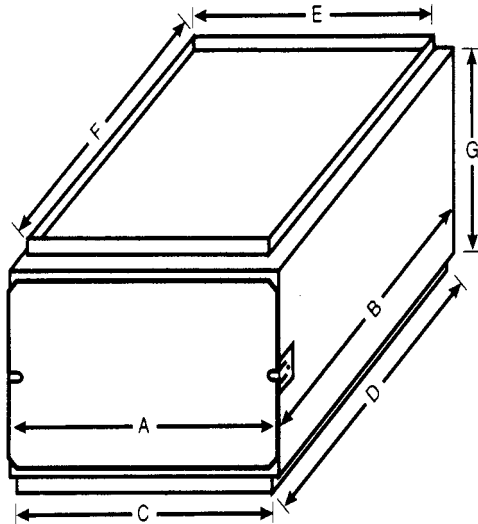


# DOWNFLOW FURNACE FILTER ACCESS

“MAKE IT E-Z FOR YOUR CUSTOMER”



- No Furnace Panels Or Door To Remove
- Use Standard Size Filters
- Keep Evaporator Coils Clean
- More Efficient - Heating & Cooling
- Customized Professional Installations
- Creates Customer Referrals

**Amana**  
A Raytheon Company



## Furnace Models And Filter Access Required

FURNACE MODEL	FILTER ACCESS REQUIRED	FURNACE MODEL	FILTER ACCESS REQUIRED
GCIC045CX30	DFA-300	GCIC115CX40	DFA-500
GCIC070CX30	DFA-300	GCIC115CX50	DFA-500
GCIC070CX40	DFA-300	GCIC140CX50	DFA-500
GCIC090CX30	DFA-400	GCIS070CA35	DFA-300
GCIC090CX50	DFA-400	GCIS090CA50	DFA-400

## Physical Data And Specifications

FILTER ACCESS REQUIRED	A	B	FURN. RETURN OPENING		PLENUM OPENING		G	FILTERS REQUIRED	GA. METAL	APPROX WEIGHT
			C	D	E	F				
DFA-200	14 1/2	21	13 3/4	19 3/4	12 3/4	20 1/4	12	2-10 x 20 x 1	24	12
DFA-300	17 1/2	21	16 3/4	19 3/4	16 1/4	20 1/4	12	3-10 x 20 x 1	24	14
DFA-400	22	21	21 1/4	19 3/4	20	20 1/4	12	3-10 x 20 x 1	24	16
DFA-500	26 1/2	21	23 1/2	19 3/4	25 3/4	20 1/4	12	4-10 x 20 x 1	24	18

NOTE: FILTERS NOT INCLUDED...SUITABLE FOR USE WITH DISPOSABLE OR ELECTROSTATIC WASHABLE TYPE FILTERS

**E-Z FILTER BASE MFG., INC.** P.O. BOX 180954 - DALLAS, TEXAS 75218-0954