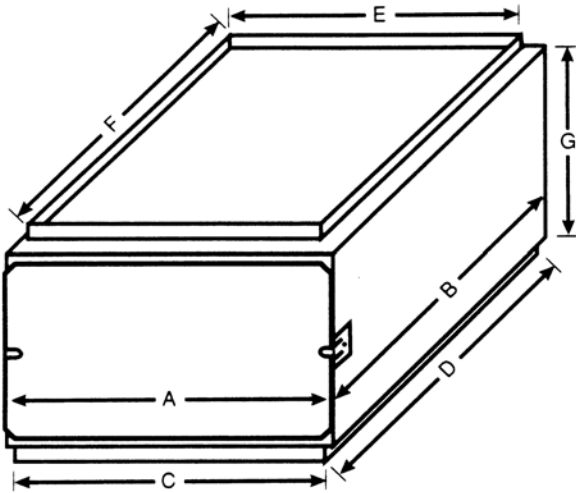


DOWNFLOW FURNACE FILTER ACCESS

“MAKE IT E-Z FOR YOUR CUSTOMER”



- No Furnace Panels Or Door To Remove
- Use Standard Size Filters
- Keep Evaporator Coils Clean
- More Efficient - Heating & Cooling
- Customized Professional Installations
- Creates Customer Referrals



CUSTOM MADE INDOOR WEATHERSM



Model Numbers And Filter Base Required

FURNACE MODEL	FURNACE WIDTH	FILTER ACCESS REQUIRED	FURNACE MODEL	FURNACE WIDTH	FILTER ACCESS REQUIRED
58RAV/58ZAV			58RAV/58ZAV		
050-08	14 3/16	DFA-200	095/096-12	17 1/2	DFA-300
050-12	14 3/16	DFA-200	095/096-16	17 1/2	DFA-300
070-08	14 3/16	DFA-200	115-16	17 1/2	DFA-300
070-12	14 3/16	DFA-200	115-20	21	DFA-400
			135-20	24 1/2	DFA-500

Physical Data And Specifications

FILTER ACCESS REQUIRED	FURN. RETURN OPENING		PLENUM OPENING			G	FILTERS REQUIRED	GA. METAL	APPROX WEIGHT	
	A	B	C	D	E					F
DFA-200	14 1/2	21	13 3/4	19 3/4	12 3/4	20 1/4	12	2-10 x 20 x 1	24	12
DFA-300	17 1/2	21	16 3/4	19 3/4	16 1/4	20 1/4	12	3-10 x 20 x 1	24	14
DFA-400	22	21	21 1/4	19 3/4	20	20 1/4	12	3-10 x 20 x 1	24	16
DFA-500	26 1/2	21	23 1/2	19 3/4	25 3/4	20 1/4	12	4-10 x 20 x 1	24	18

NOTE: FILTERS NOT INCLUDED...SUITABLE FOR USE WITH DISPOSABLE OR ELECTROSTATIC WASHABLE TYPE FILTERS

E-Z FILTER BASE MFG., INC. P.O. BOX 180954 - DALLAS, TEXAS 75218-0954