

EASY ACCESS FURNACE FILTER BASE

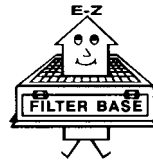
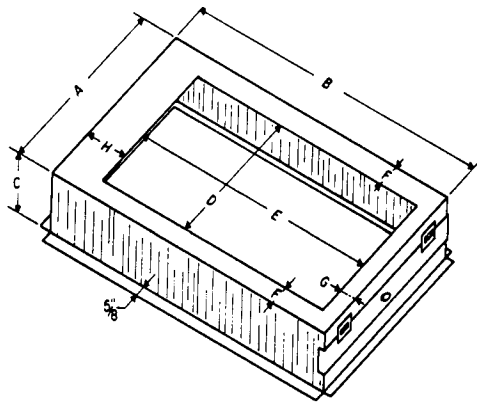


CUSTOM MADE INDOOR WEATHERSM

“MAKE IT E-Z FOR YOUR CUSTOMER”

FURNACE ACCESSORIES

- Lift Access Door - Remove Filter
- No Furnace Panels Or door To Remove
- Use Standard Size Filters
- Keep Evaporator Coils Clean
- More Efficient - Heating & Cooling
- Customized Professional Installations
- Creates Customer Referrals
- Accepts 1” or 2” Filters



Furnace Model and Filter Base Required

MODEL NUMBER	FILTER BASE REQUIRED	MODEL NUMBER	FILTER BASE REQUIRED
58STA045-08	EZ-1425MP	58STA090-20	EZ-2025MP
58STA045-12	EZ-1425MP	58STA110-12	EZ-1625MP
58STA070-08	EZ-1425MP	58STA110-16	EZ-2025MP
58STA070-12	EZ-1425MP	58STA110-22	EZ-2025MP
58STA070-16	EZ-1625MP	58STA135-16	EZ-2025MP
58STA090-14	EZ-1625MP	58STA135-22	EZ-2424MP
58STA090-16	EZ-2025MP	58STA155-20	EZ-2424MP

Physical Data And Specifications

MODEL NUMBER	OVERALL			OPENING		TOP			GAUGE METAL	APPROX. WEIGHT	FILTER SIZE
	A	B	C	D	E	F	G	H			
EZ-1425MP	14 1/4	25 1/4	4	11 3/4	22 3/4	1 1/4	1	1 1/4	22	6 LBS.	14 x 25
EZ-1625MP	17 5/8	25 1/4	4	15 1/8	22 3/4	1 1/4	1	1 1/4	22	7 LBS.	16 x 25
EZ-2025MP	21 5/8	25 1/4	4	19 1/8	22 3/4	1 1/4	1	1 1/4	22	8 LBS.	20 x 25
EZ-2424MP	24 5/8	25 1/4	4	22 1/8	22 3/4	1 1/4	1	1 1/4	22	10 LBS.	24 x 24

NOTE: FILTER NOT INCLUDED
suitable for use with disposable or
electrostatic type washable filters

U.S. Patent No. 4,827,901
U.S. Patent No. 4,919,123

E-Z FILTER BASE MFG., INC.

P.O. BOX 180954 - DALLAS, TEXAS 75218-0954