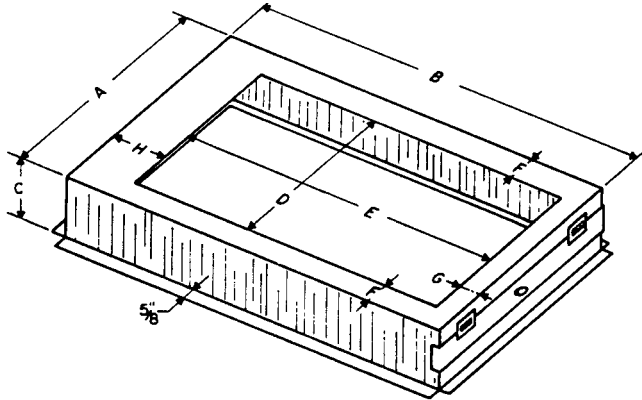


EASY ACCESS FAN/COIL UNIT FILTER BASE

“Make It E-Z For Your Customer”



- Lift Access Door - Remove Filter
- No Panels Or Door To Remove
- Use Standard Size Filters
- Keep Evaporator Coils Clean
- More Efficient - Heating & Cooling
- Customized Professional Installations
- Creates Customer Referrals
- Accepts 1” or 2” Filters



AIR HANDLERS AND FILTER BASE REQUIRED

UNIT MODEL NUMBER	FILTER BASE REQ	UNIT MODEL NUMBER	FILTER BASE REQ
FYRP-024	EZ-1620-FC	FYFP-048	EZ-2025-FCW
FYRP-030	EZ-1620-FC	FYFP-060	EZ-2025-FCW
FYRP-036	EZ-2020-FC		

PHYSICAL DATA AND SPECIFICATIONS

MODEL NUMBER	OVERALL			OPENING			TOP			GAUGE METAL	APPROX. WEIGHT	FILTER SIZE*
	A	B	C	D	E	F	G	H				
EZ-1420-FC	14 1/4	22	4	11 3/4	19	1 1/4	1	2	22	5 LBS.	14 X 20	
EZ-1620-FC	17 1/2	22	4	15	19	1 1/4	1	2	22	6 LBS.	16 X 20	
EZ-2020-FC	21	22	4	18 1/2	19	1 1/4	1	2	22	6 1/2 LBS.	20 X 20	
EZ-2025-FCW	25	22	4	22 1/2	19	1 1/4	1	2	22	7 LBS.	20 X 25	

NOTE: * Accepts 1” Or 2” Filter
 FILTER NOT INCLUDED
 Suitable fFr Use With Disposable Or
 Electrostatic Type Washable Filters

U.S. Patent No. 4,827,901
 U.S. Patent No. 4,919,123

E-Z FILTER BASE MFG., INC.

P.O. Box 180854 - DALLAS, TEXAS 75218-0954