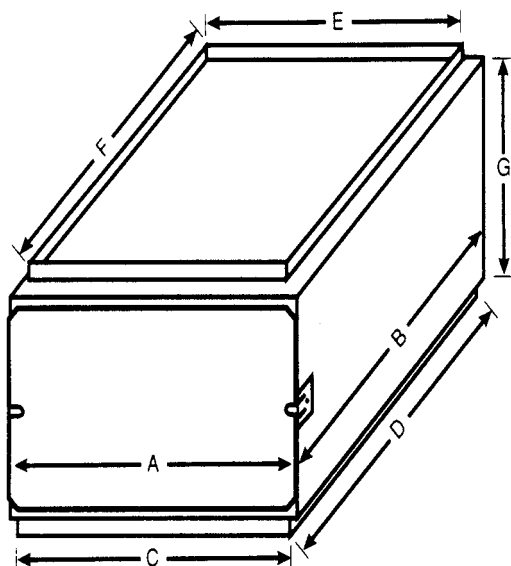


DOWNFLOW FURNACE FILTER ACCESS

“MAKE IT E-Z FOR YOUR CUSTOMER”



- No Furnace Panels Or Door To Remove
- Use Standard Size Filters
- Keep Evaporator Coils Clean
- More Efficient - Heating & Cooling
- Customized Professional Installations
- Creates Customer Referrals



Furnace Models And Filter Access Required

FURNACE MODEL	FILTER ACCESS REQUIRED	FURNACE MODEL	FILTER ACCESS REQUIRED
RGC80A050D10	DFA-200	RGC80A100D14	DFA-400
RGC80A050D14	DFA-300	RGC80A100D20	DFA-500
RGC80A075D10	DFA-300	RGC80A125D20	DFA-500
RGC80A075D14	DFA-300	RGC80A150D20	DFA-500
RGC80A100D12	DFA-300		

Physical Data And Specifications

FILTER ACCESS	FURN. RETURN OPENING		PLENUM OPENING		G	FILTERS REQUIRED	GA. METAL	APPROX WEIGHT		
	A	B	C	D					E	F
DFA-200	14 1/2	21	13 3/4	19 3/4	12 1/4	20 1/4	12	2-10 x 20 x 1	24	12
DFA-300	17 1/2	21	16 3/4	19 3/4	16 1/4	20 1/4	12	3-10 x 20 x 1	24	14
DFA-400	22	21	21 1/4	19 3/4	20	20 1/4	12	3-10 x 20 x 1	24	16
DFA-500	26 1/2	21	25 3/4	19 3/4	23 1/2	20 1/4	12	4-10 x 20 x 1	24	18

NOTE: FILTERS NOT INCLUDED...SUITABLE FOR USE WITH DISPOSABLE OR ELECTROSTATIC WASHABLE TYPE FILTERS

E-Z FILTER BASE MFG., INC. P.O. BOX 180954 - DALLAS, TEXAS 75218-0954