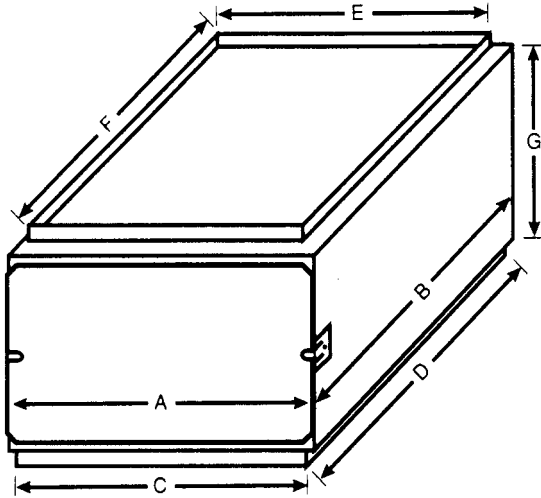


DOWNFLOW FURNACE FILTER ACCESS

“MAKE IT E-Z FOR YOUR CUSTOMER”



- No Furnace Panels Or Door To Remove
- Use Standard Size Filters
- Keep Evaporator Coils Clean
- More Efficient - Heating & Cooling
- Customized Professional Installations
- Creates Customer Referrals

NOTE: ALL “DFA” FILTER ACCESS UNITS REQUIRE A “JTR” TRANSITION TO FIT “JANTROL” FURNACES.



Goodman®

Air Conditioning & Heating

Furnace Models And Filter Access Required

FURNACE MODEL	TRANSITION REQUIRED	FILTER ACCESS REQUIRED	FURNACE MODEL	TRANSITION REQUIRED	FILTER ACCESS REQUIRED
GPD050-3	JTR2	DFA-200	GPD100-4	JTR3	DFA-300
GPD075-3	JTR2	DFA-200	GPD125-4	JTR4	DFA-400

Physical Data And Specifications

FILTER ACCESS REQUIRED	FURN. RETURN OPENING		PLENUM OPENING		G	FILTERS REQUIRED	GA. METAL	APPROX WEIGHT		
	A	B	C	D					E	F
DFA-200	14 1/2	21	13 3/4	19 3/4	12 1/4	20 1/4	12	2-10 x 20 x 1	24	12
DFA-300	17 1/2	21	16 3/4	19 3/4	16 1/4	20 1/4	12	3-10 x 20 x1	24	14
DFA-400	22	21	21 1/4	19 3/4	20	20 1/4	12	3-10 x 20 x 1	24	16

NOTE: FILTERS NOT INCLUDED.....SUITABLE FOR USE WITH DISPOSABLE OR ELECTROSTATIC WASHABLE TYPE FILTERS

E-Z FILTER BASE MFG., INC.

P.O. BOX 180954 - DALLAS, TEXAS 75218-0954