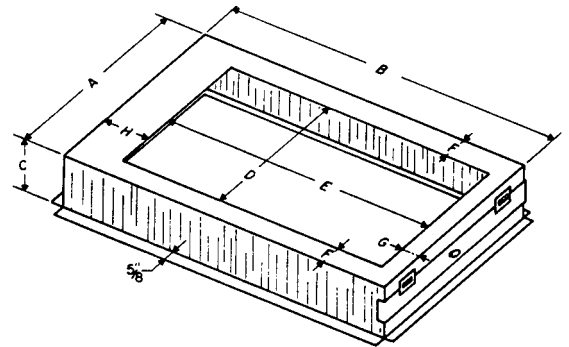
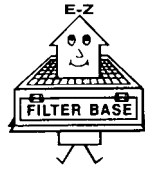


EASY ACCESS FAN/COIL UNIT FILTER BASE

“Make It E-Z For Your Customer”

- Lift Access Door - Remove Filter
- No Panels Or Door To Remove
- Use Standard Size Filters
- Keep Evaporator Coils Clean
- More Efficient - Heating & Cooling
- Customized Professional Installations
- Creates Customer Referrals
- Accepts 1” or 2” Filters



Air Handlers And Filter Base Required

MODEL NUMBER	FILTER BASE REQUIRED	MODEL NUMBER	FILTER BASE REQUIRED	MODEL NUMBER	FILTER BASE REQUIRED
A18	EZ-1620-FC	A32	EZ-2020-FC	A48	EZ-2025-FCN
A24	EZ-1620-FC	A36	EZ-2020-FC	A49	EZ-2025-FCN
A30	EZ-1620-FC	A42	EZ-2020-FC	A60	EZ-2025-FCN
				A61	EZ-2025-FCN

Physical Data And Specifications

MODEL NUMBER	OVERALL			OPENING		TOP			GAUGE METAL	APPROX. WEIGHT	FILTER SIZE*
	A	B	C	D	E	F	G	H			
EZ-1620-FC*	17 1/2	22	4	15	19	1 1/4	1	2	22	6 LBS.	16 X 20
EZ-2020-FC*	21	22	4	18 1/2	19	1 1/4	1	2	22	6 1/2 LBS.	20 X 20
EZ-2025-FCN	22	25	4	22 1/2	19	1 1/4	1	2	22	7 LBS.	20 X 25

NOTE: *Accepts 1” Or 2” Filter
 FILTER NOT INCLUDED
 Suitable For Use With Disposable
 Electrostatic Type Washable Filters

U.S. Patent No. 4,827,901
 U.S. Patent No. 4,919,123

E-Z FILTER BASE MFG., INC.

P.O. Box 180854 - DALLAS, TEXAS 75218-0954