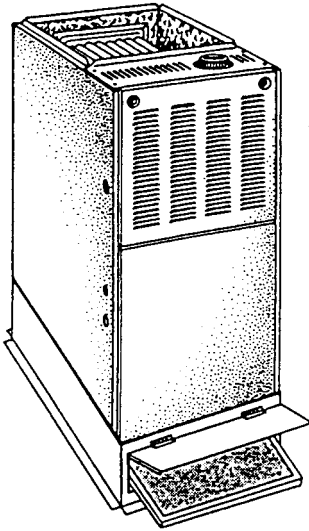


# EASY ACCESS FURNACE FILTER BASE

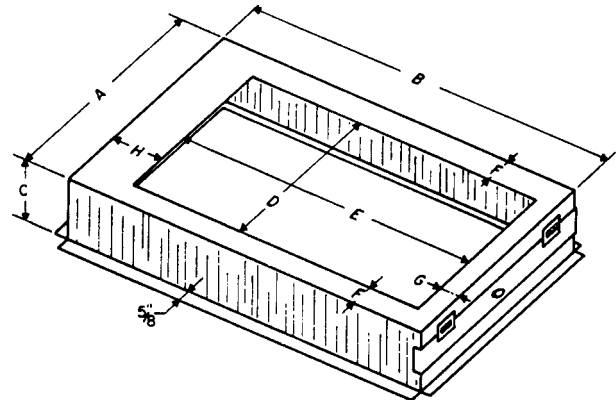
“MAKE IT E-Z FOR YOUR CUSTOMER”



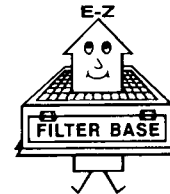
Typical Installation w/  
Upflow Gas Furnace



- Lift Access Door - Remove Filter
- No Furnace Panels Or Door To Remove
- Use Standard Size Filter
- Keep Evaporator Coils Clean
- More Efficient - Heating & Cooling
- Customized Professional Installations
- Creates Customer Referrals
- Accepts 1" or 2" Filter
- Application - Upflow / Horizontal



**LUXAIRE**<sup>®</sup>  
Heating ■ Air Conditioning



## Furnace Model And Filter Base Required

FURNACE MODELS PBKM	FILTER BASE REQUIRED*	FURNACE MODELS PBKM	FILTER BASE REQUIRED*	FURNACE MODELS PBKM	FILTER BASE REQUIRED*
LD08N040	EZ-1425	LD14N100	EZ-2025	LV12N080	EZ-1625
LD08N060	EZ-1625	LD20N100	EZ-2025	LV14N100	EZ-2025
LD12N060	EZ-1625	LD16N120	EZ-2025	LV20N100	EZ-2025
LD12N080	EZ-1625	LD20N120	EZ-2025		
LD16N080	EZ-2025	LD20N140	EZ-2424		

## Physical Data And Specifications

MODEL NUMBER	OVERALL			OPENING		TOP			GAUGE METAL	APPROX. WEIGHT	FILTER SIZE*
	A	B	C	D	E	F	G	H			
EZ-1425	14 1/4	28 5/8	4	11 3/4	24 5/8	1 1/4	1	3	22	9 LBS.	14 x 25
EZ-1625	17 5/8	28 5/8	4	15 1/8	24 5/8	1 1/4	1	3	22	10 LBS.	16 x 25
EZ-2025	21 5/8	28 5/8	4	19 1/8	24 5/8	1 1/4	1	3	22	11 LBS.	20 x 25
EZ-2424	24 5/8	28 5/8	4	22 1/8	24 5/8	1 1/4	1	3	22	12 LBS.	24 x 24

NOTE: \*Accepts 1" or 2" Filter

FILTER NOT INCLUDED

Suitable For Use With Disposable Or  
Electrostatic Type Washable Filters

U.S. Patent No. 4,827,901

U.S. Patent No. 4,919,123

**E-Z FILTER BASE MFG., INC.**

P.O. BOX 180954 - DALLAS, TEXAS 75218-0954