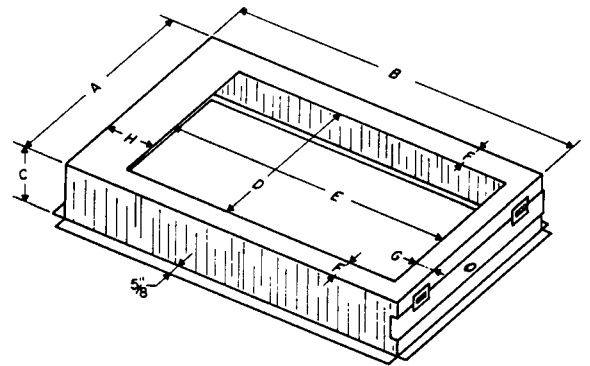
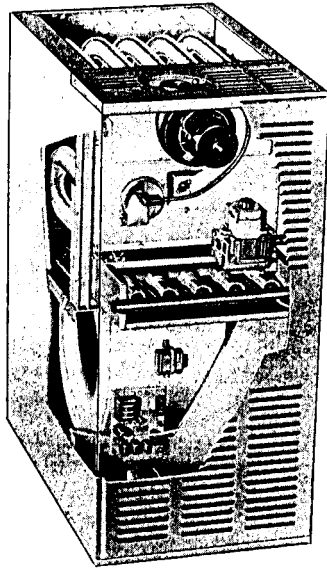


EASY ACCESS GAS FURNACE FILTER BASE

“Make It E-Z For Your Customer”

- Lift Access Door - Remove Filter
- No Unit Panels Or Door To Remove
- Use Standard Size Filter
- Keeps Evaporator Coils Clean
- More Efficient - Heating & Cooling
- Customized Professional Installations
- Creates Customer Referrals
- Accepts 1” or 2” Filter



Furnace Models And Filter Base Required

G40UH SERIES	FILTER BASE REQUIRED	G40UH SERIES	FILTER BASE REQUIRED	G50UH SERIES	FILTER BASE REQUIRED	G50UH SERIES	FILTER BASE REQUIRED
24A-045	EZ-1425	48C-135	EZ-2025	24A-045	EZ-1425	48C-135	EZ-2025
36A-070	EZ-1425	60C-110	EZ-2025	36A-070	EZ-1425	60C-110	EZ-2025
36B-090	EZ-1625	60D-135	EZ-2424	36B-090	EZ-1625	60D-135	EZ-2424
48B-090	EZ-1625	60D-155	EZ-2424	48B-090	EZ-1625	60D-155	EZ-2424
48C-110	EZ-2025			48B-110	EZ-2025		

Physical Data And Specifications

MODEL NUMBER	OVERALL			OPENING		TOP			GAUGE METAL	APPROX. WEIGHT	FILTER SIZE*
	A	B	C	D	E	F	G	H			
EZ-1425	14 1/4	28 5/8	4	11 3/4	24 5/8	1 1/4	1	3	22	6 LBS.	14 x 25
EZ-1625	17 5/8	28 5/8	4	15 1/8	24 5/8	1 1/4	1	3	22	7 LBS.	16 x 25
EZ-2025	21 5/8	28 5/8	4	19 1/8	24 5/8	1 1/4	1	3	22	8 LBS.	20 x 25
EZ-2424	24 5/8	28 5/8	4	22 1/8	24 5/8	1 1/4	1	3	22	10 LBS.	24 x 24

NOTE: * Accepts 1” Or 2” Filter
 FILTER NOT INCLUDED
 Suitable For Use With Disposable Or
 Electrostatic Washable Type Filters

U.S. PATENT NO. 4,827,901
 U.S. PATENT NO. 4,919,123

E-Z FILTER BASE MFG., INC.

P.O. BOX 180954 - DALLAS, TEXAS 75218-0954