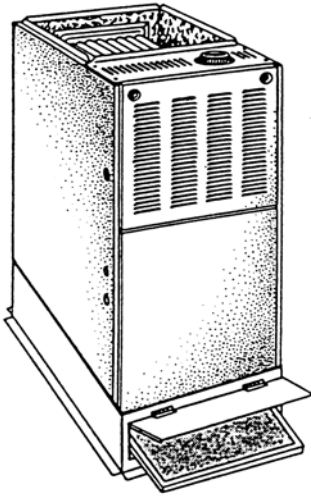


EASY ACCESS FURNACE FILTER BASE

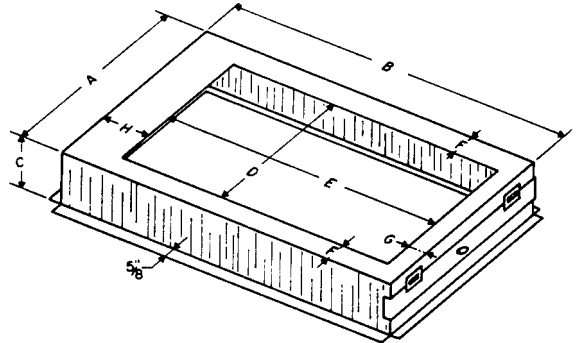
“MAKE IT E-Z FOR YOUR CUSTOMER”



Typical Installation With
Upflow Gas Furnace



- Lift Access Door - Remove Filter
- No Furnace Panels Or Door To Remove
- Use Standard Size Filter
- Keep Evaporator Coils Clean
- More Efficient - Heating & Cooling
- Customized Professional Installations
- Creates Customer Referrals
- Accepts 1” or 2” Filter



Furnace Model And Filter Base Required

80% AFUE UPFLOW/HORIZ. MODELS	FILTER BASE REQUIRED	90% AFUE UPFLOW MODELS	FILTER BASE REQUIRED
G5RA-045-8	EZ-1425	G5RC-040C-12	EZ-1425
G5RA-060-12	EZ-1425	G5RC-060C-12	EZ-1425
G5RA-072-12	EZ-1425	G5RC-080C-16	EZ-2025
G5RA-016-16	EZ-2025	G5RC-100C-16	EZ-2025
G5RA-096-16	EZ-2025	G5RC-120C-16	EZ-2424
G5RA-096-20	EZ-2424	G5RC-120C-20	EZ-2424
G5RA-120-16	EZ-2025		
G5RA-120-20	EZ-2424		
G5RA-144-20	EZ-2424		

Physical Data And Specifications

MODEL NUMBER	OVERALL			OPENING		TOP			GAUGE METAL	APPROX. WEIGHT	FILTER SIZE*
	A	B	C	D	E	F	G	H			
EZ-1425	14 1/4	28 5/8	4	11 3/4	24 5/8	1 1/4	1	3	22	9 LBS.	14 x 25
EZ-1625	17 5/8	28 5/8	4	15 1/8	24 5/8	1 1/4	1	3	22	10 LBS.	16 x 25
EZ-2025	21 5/8	28 5/8	4	19 1/8	24 5/8	1 1/4	1	3	22	11 LBS.	20 x 25
EZ-2424	24 5/8	28 5/8	4	22 1/8	24 5/8	1 1/4	1	3	22	12 LBS.	24 x 24

NOTE: *Accepts 1” or 2” Filter

FILTER NOT INCLUDED
suitable for use with disposable or
electrostatic type washable filters

U.S. Patent No. 4,827,901
U.S. Patent No. 4,919,123

E-Z FILTER BASE MFG., INC.

P.O. BOX 180954 - DALLAS, TEXAS 75218-0954