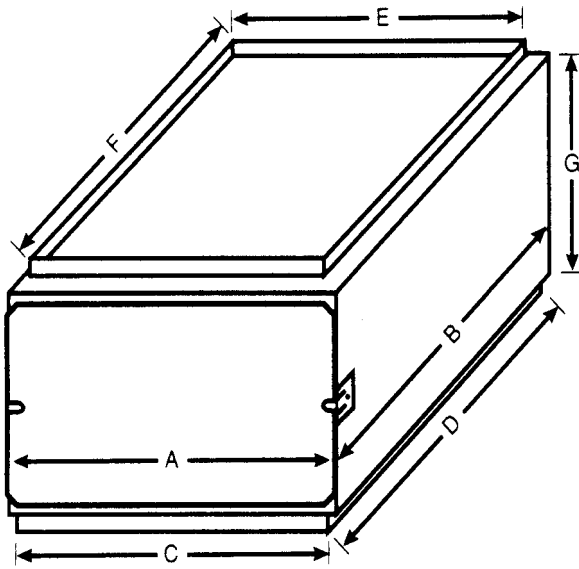


# DOWNFLOW FURNACE FILTER ACCESS

**“MAKE IT E-Z FOR YOUR CUSTOMER”**



- No Furnace Panels Or Door To Remove
- Use Standard Size Filters
- Keep Evaporator Coils Clean
- More Efficient - Heating & Cooling
- Customized Professional Installations
- Creates Customer Referrals

## ***NORDYNE***

**Furnace Models And Filter Access Required**

MODEL NUMBER	FILTER ACCESS REQ.	MODEL NUMBER	FILTER ACCESS REQ.
G6RK060C-12	DFA-200	G6RK096C-12	DFA-400
G6RK072C-12	DFA-200	G6RK096C-16	DFA-400
G6RK072C-16	DFA-400	G6RK120C-20	DFA-400

**Physical Data And Specifications**

FILTER ACCESS REQUIRED	A	B	FURN. RETURN OPENING		PLENUM OPENING		G	FILTERS REQUIRED	GA. METAL	APPROX WEIGHT
			C	D	E	F				
DFA-200	14 1/2	21	12 3/4	20 1/4	13 3/4	19 3/4	12	2-10 X 20 X 1	24	14
DFA-400	22	21	20	20 1/4	21 1/4	19 3/4	12	3-10 X 20 X 1	24	16

**NOTE: FILTERS NOT INCLUDED...SUITABLE FOR USE WITH DISPOSABLE OR ELECTROSTATIC WASHABLE TYPE FILTERS**

**E-Z FILTER BASE MFG., INC.** P.O. BOX 180954 - DALLAS, TEXAS 75218-0954