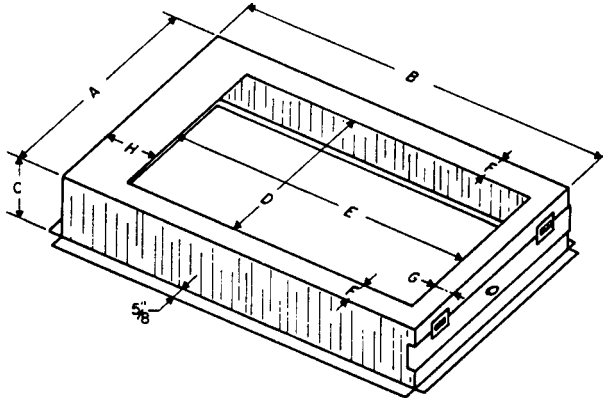
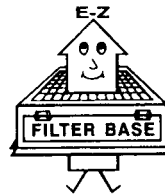


EASY ACCESS FURNACE FILTER BASE

“Make It E-Z For Your Customer”



- Lift Access Door - Remove Filter
- No Furnace Panels Or Door To Remove
- Use Standard Size Filters
- Keep Evaporator Coils Clean
- More Efficient - Heating & Cooling
- Customized Professional Installations
- Creates Customer Referrals
- Accepts 1” or 2” Filters
- Application Upflow/Horiz.



Furnace Model and Filter Base Required

MODEL NUMBER	FILTER BASE REQUIRED	MODEL NUMBER	FILTER BASE REQUIRED
PG8MAA024045	EZ-1425MP	PG8MAA060090	EZ-2025MP
PG8MAA036045	EZ-1425MP	PG8MAA036110	EZ-1625MP
PG8MAA024070	EZ-1425MP	PG8MAA048110	EZ-2025MP
PG8MAA036070	EZ-1425MP	PG8MAA066110	EZ-2025MP
PG8MAA048070	EZ-1625MP	PG8MAA048135	EZ-2025MP
PG8MAA042090	EZ-1625MP	PG8MAA066135	EZ-2424MP
PG8MAA048090	EZ-2025MP	PG8MAA060155	EZ-2424MP

Physical Data And Specifications

MODEL NUMBER	OVERALL			OPENING		TOP			GAUGE METAL	APPROX. WEIGHT	FILTER SIZE
	A	B	C	D	E	F	G	H			
EZ-1425MP	14 1/4	25 1/4	4	11 3/4	22 5/8	1 1/4	1	1 1/4	22	6 LBS.	14 x 25
EZ-1625MP	17 5/8	25 1/4	4	15 1/8	22.5/8	1 1/4	1	1 1/4	22	7 LBS.	16 x 25
EZ-2025MP	21 5/8	25 1/4	4	19 1/8	22 5/8	1 1/4	1	1 1/4	22	8 LBS.	20 x 25
EZ-2424MP	24 5/8	25 1/4	4	22 1/8	22 5/8	1 1/4	1	1 1/4	22	10 LBS.	24 x 24

NOTE: *Accepts 1” or 2” Filter
 FILTER NOT INCLUDED
 suitable for use with disposable or
 electrostatic type washable filters

U.S. Patent No. 4,827,901
 U.S. Patent No. 4,919,123

E-Z FILTER BASE MFG., INC.

P.O. BOX 180954 - DALLAS, TEXAS 75218