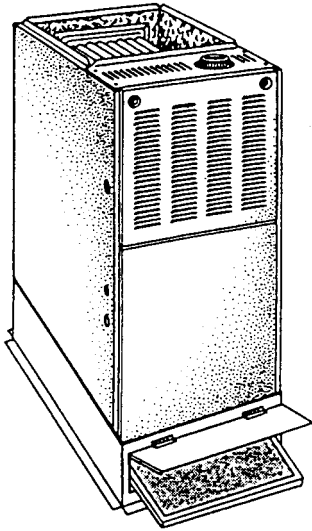


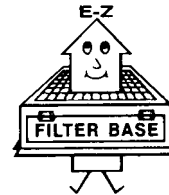
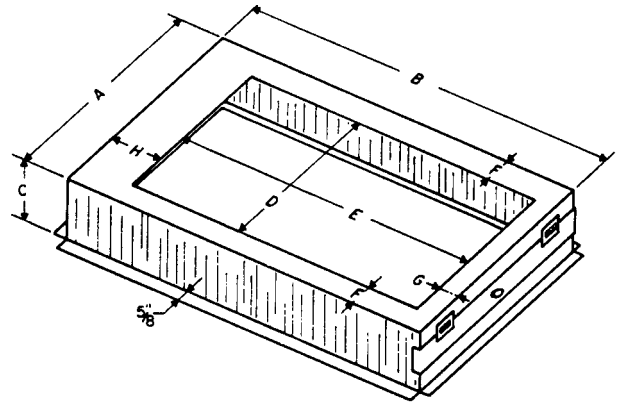
# EASY ACCESS FURNACE FILTER BASE

“Make It E-Z For Your Customer”



Typical Installation With  
Upflow Gas Furnace

- Lift Access Door - Remove Filter
- No Furnace Panels Or Door To Remove
- Use Standard Size Filter
- Keep Evaporator Coils Clean
- More Efficient - Heating & Cooling
- Customized Professional Installations
- Creates Customer Referrals
- Accepts 1" or 2" Filter



## Furnace Model And Filter Base Required

80 % A.F.U.E. FURNACE MODELS	FILTER BASE REQUIRED	90 % A.F.U.E. FURNACE MODELS	FILTER BASE REQUIRED
RGPH-04	EZ-1425	RGRA-04 M	EZ-1625
RGPH-06	EZ-1625	RGRA-06 M	EZ-1625
RGPH-07	EZ-1625	RGRA-07 M	EZ-1625
RGPH-10 (A)	EZ-1625	RGRA-07 Y	EZ-2025
RGPH-10 (B)	EZ-2025	RGRA-09 Z	EZ-2025
RGPH-12	EZ-2424	RGRA-10 Z	EZ-2025
RGPH-15	EZ-2424	RGRA-12 R	EZ-2424

## Physical Data And Specifications

MODEL NUMBER	OVERALL			OPENING		TOP			GAUGE METAL	APPROX. WEIGHT	FILTER SIZE*
	A	B	C	D	E	F	G	H			
EZ-1425	14 1/4	28 5/8	4	11 3/4	24 5/8	1 1/4	1	3	22	8 LBS	14 X 25
EZ-1625	17 5/8	28 5/8	4	15 1/8	24 5/8	1 1/4	1	3	22	9 LBS.	16 X 25
EZ-2025	21 5/8	28 5/8	4	19 1/8	24 5/8	1 1/4	1	3	22	10 LBS.	20 X 25
EZ-2424	24 5/8	28 5/8	4	22 1/8	24 5/8	1 1/4	1	3	22	12 LBS.	24 X 24

NOTE: \*Accepts 1" or 2" Filter  
 FILTER NOT INCLUDED  
 Suitable For Use With Disposable Or  
 Electrostatic Type Washable Filters

U.S. Patent No. 4,827,901  
 U.S. Patent No. 4,919,123

**E-Z FILTER BASE MFG., INC.**

P.O. BOX 180954 - DALLAS, TEXAS 75218-0954