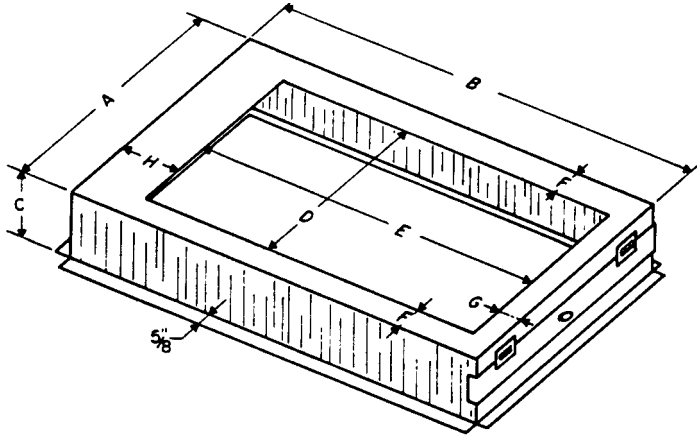
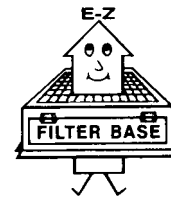


# EASY ACCESS FAN/COIL UNIT FILTER BASE

“Make It E-Z For Your Customer”



- Lift Access Door - Remove Filter
- No Panels Or Door To Remove
- Use Standard Size Filters
- Keep Evaporator Coils Clean
- More Efficient - Heating & Cooling
- Customized Professional Installations
- Creates Customer Referrals
- Accepts 1" or 2" Filters



**Sun Therm**  
HEATING PRODUCTS



### Air Handlers And Filter Base Required

MODEL NUMBER	FILTER BASE REQUIRED	MODEL NUMBER	FILTER BASE REQUIRED
B41	EZ-1620-FC	B15	EZ-2025FCN
S41	EZ-1620-FC	S15	EZ-2025FCN

### Physical Data And Specifications

MODEL NUMBER	OVERALL			OPENING		TOP			GAUGE METAL	APPROX. WEIGHT	FILTER SIZE*
	A	B	C	D	E	F	G	H			
EZ-1420-FC	14 1/4	22	4	11 3/4	19	1 1/4	1	2	22	6 LBS.	14 X 20
EZ-1620-FC	17 1/2	22	4	15	19	1 1/4	1	2	22	8 LBS.	16 X 20
EZ-2020-FC	21	22	4	18 1/2	19	1 1/4	1	2	22	9 LBS.	20 X 20
EZ-2025-FCN	22	25	4	19 1/2	21	1 1/4	1	2 1/2	22	10 LBS.	20 X 25

NOTE: \*Accepts 1" or 2" Filter  
 FILTER NOT INCLUDED  
 Suitable For Use With Disposable Or  
 Electrostatic Type Washable Filters

U.S. Patent No. 4,827,901  
 U.S. Patent No. 4,919,123

**E-Z FILTER BASE MFG., INC.** P.O. Box 180854 - DALLAS, TEXAS 75218-0954