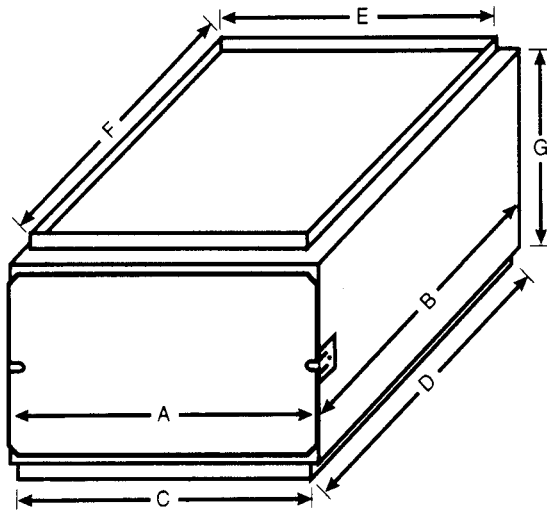


# DOWNFLOW FURNACE FILTER ACCESS

“MAKE IT E-Z FOR YOUR CUSTOMER”



- No Furnace Panels Or Door To Remove
- Use Standard Size Filters
- Keep Evaporator Coils Clean
- More Efficient - Heating & Cooling
- Customized Professional Installations
- Creates Customer Referrals



**TRANE™**

## Furnace Models And Filter Access Required

FURNACE MODEL	FURN. WIDTH	FILTER ACCESS REQ.	FURNACE MODEL	FURN. WIDTH	FILTER ACCESS REQ.	FURN. ACE MODEL	FURN. WIDTH	FILTER ACCESS REQ.
TDD060C936C	14 1/2	DFA-200	TDD120C960C	24 1/2	DFA-500	TDD100R960C	21	DFA-400
TDD080C936C	17 1/2	DFA-300	TDD060R936C	14 1/2	DFA-200	TDD120R960C	24 1/2	DFA-500
TDD100C945C	17 1/2	DFA-300	TDD080R936C	17 1/2	DFA-300	TDD080R9V3C	17 1/2	DFA-300
TDD100C954C	21	DFA-400	TDD100R945C	17 1/2	DFA-300	TDD100R9V5C	21	DFA-400
						TDD120R9V5C	24 1/2	DFA-500

## Physical Data And Specifications

FILTER ACCESS REQUIRED	A	B	FURN. RETURN OPENING		PLENUM OPENING			G	FILTERS REQUIRED	GA. METAL	APPROX WEIGHT
			C	D	E	F					
DFA-200	14 1/2	21	13 3/4	19 3/4	12 1/4	20 1/4	12	2-10 x 20 x 1	24	14	
DFA-300	17 1/2	21	16 3/4	19 3/4	16 1/4	20 1/4	12	3-10 x 20 x 1	24	14	
DFA-400	22	21	21 3/4	19 3/4	20	19 3/4	12	3-10 x 20 x 1	24	16	
DFA-500	26 1/2	21	23 1/2	20 1/4	25 3/4	19 3/4	12	4-10 x 20 x 1	24	18	

NOTE: FILTERS NOT INCLUDED.....SUITABLE FOR USE WITH DISPOSABLE OR ELECTROSTATIC WASHABLE TYPE FILTERS

**E-Z FILTER BASE MFG., INC.** P.O. BOX 180954 - DALLAS, TEXAS 75218-0954