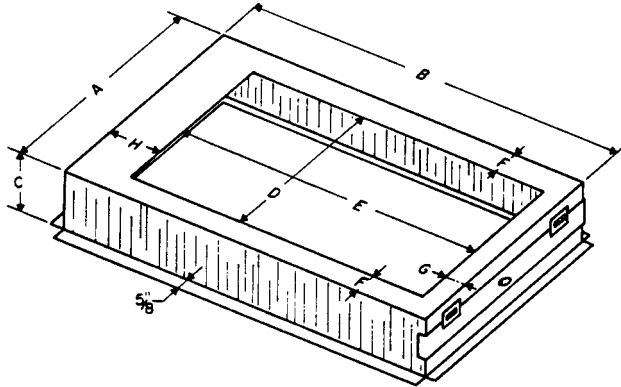
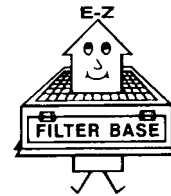


# EASY ACCESS FAN/COIL UNIT FILTER BASE

“Make It E-Z For Your Customer”



- Lift Access Door - Remove Filter
- No Panels Or Door To Remove
- Use Standard Size Filters
- Keep Evaporator Coils Clean
- More Efficient - Heating & Cooling
- Customized Professional Installations
- Creates Customer Referrals
- Accepts 1" or 2" Filters



**TRANE™**

### Furnace Models And Filter Base Required

CONVERTIBLE AIR HANDLER	FILTER BASE REQUIRED	CONVERTIBLE AIR HANDLER	FILTER BASE REQUIRED	VARIABLE SPEED AIR HANDLER	FILTER BASE REQUIRED
TWE018C140A	EZ-2020-FC	TWE018P130A	EZ-2020-FC	TWE031E130A	EZ-2020-FC
TWE024C140A	EZ-2020-FC	TWE024P130A	EZ-2020-FC	TWE040E130A	EZ-2025-FCW
TWE030C140A	EZ-2020-FC	TWE030P130A	EZ-2020-FC	TWE065E130A	EZ-2025-FCW
TWE036C140A	EZ-2020-FC	TWE036P130A	EZ-2025-FCW	TWE062E130FA	EZ-2025-FCW
TWE042C140B	EZ-2025-FCW	TWE042P130A	EZ-2025-FCW		
TWE048C140B	EZ-2025-FCW	TWE048P130A	EZ-2025-FCW		
TWE060D150B	EZ-2025-FCW	TWE060P130A	EZ-2025-FCW		
TWE060C15FC	EZ-2025-FCW	TWE063P130A	EZ-2025-FCW		

### Physical Data And Specifications

MODEL NUMBER	OVERALL			OPENING		TOP			GAUGE METAL	APPROX. WEIGHT	FILTER SIZE*
	A	B	C	D	E	F	G	H			
EZ-1420-FC	14 1/4	22	4	11 3/4	19	1 1/4	1	2	22	5 LBS.	14 X 20
EZ-1620-FC	17 1/2	22	4	15	19	1 1/4	1	2	22	6 LBS.	16 X 20
EZ-2020-FC	21	22	4	18 1/2	19	1 1/4	1	2	22	6 1/2 LBS.	20 X 20
EZ-2025-FCW	25	22	4	22 1/2	19	1 1/4	1	2	22	7 LBS.	20 X 25

NOTE: \*Accepts 1" Or 2" Filter

FILTER NOT INCLUDED

Suitable For Use With Disposable Or

Electrostatic Type Washable Filters

U.S. Patent No. 4,827,901

U.S. Patent No. 4,919,123

**E-Z FILTER BASE MFG., INC.**

P.O. Box 180954 - DALLAS, TEXAS 75218-0954