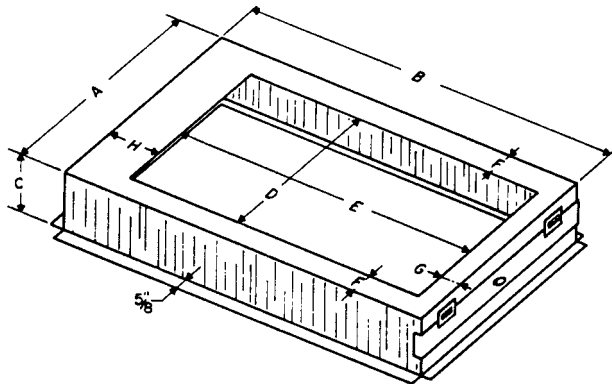


# EASY ACCESS FURNACE FILTER BASE

“MAKE IT E-Z FOR YOUR CUSTOMER”



- Lift Access Door - Remove Filter
- No Furnace Panels Or Door To Remove
- Use Standard Size Filter
- Keep Evaporator Coils Clean
- More Efficient - Heating & Cooling
- Customized Professional Installations
- Creates Customer Referrals
- Accepts 1” or 2” Filter



**TRANE™**

## Furnace Model And Filter Base Required

MODEL “EX80”	FILTER BASE REQUIRED	MODEL “XL80”	FILTER BASE REQUIRED	MODEL “XE90”	FILTER BASE REQUIRED
TUD040C924H	EZ-1425	TUD040R924H	EZ-1425	TUC040C924A	EZ-1625
TUD040C930H	EZ-1425	TUD060R936H	EZ-1425	TUC060C936A	EZ-1625
TUD060C924H	EZ-1425	TUD080R936H	EZ-1625	TUC080C942A	EZ-1625
TUD060C936H	EZ-1425	TUD080R948H	EZ-1625	TUC100C948A	EZ-2025
TUD080C924H	EZ-1625	TUD100R936H	EZ-1625	TUC100C960A	EZ-2424
TUD080C936H	EZ-1625	TUD100R948H	EZ-2025	TUC120C960A	EZ-2424
TUD080C948H	EZ-1625	TUD100R960H	EZ-2025	TUX040C924A	EZ-1625
TUD100C936H	EZ-1625	TUD120R954H	EZ-2025	TUX060C936A	EZ-1625
TUD100C945H	EZ-1625	TUD120R960H	EZ-2424	TUX080C942A	EZ-1625
TUD100C948H	EZ-2025	TUD140R960H	EZ-2424	TUX100C948A	EZ-2025
TUD100C960H	EZ-2025	MODEL	FILTER BASE	TUX100C960A	EZ-2424
TUD100C961H	EZ-2424	“XV80”	REQUIRED	TUX120C960A	EZ-2424
TUD120C954H	EZ-2025	TUD080R9V5H	EZ-1625		
TUD120C960H	EZ-2424	TUD100R9V5H	EZ-2025		
TUD140C960H	EZ-2424	TUD140R9V5H	EZ-2424		

## Physical Data And Specifications

MODEL NUMBER	OVERALL			OPENING		TOP			GAUGE METAL	APPROX. WEIGHT	FILTER SIZE*
	A	B	C	D	E	F	G	H			
EZ-1425	14 1/4	28 5/8	4	11 3/4	24 5/8	1 1/4	1	3	22	9 LBS.	14 x 25
EZ-1625	17 5/8	28 5/8	4	15 1/8	24 5/8	1 1/4	1	3	22	10 LBS.	16 x 25
EZ-2025	21 5/8	28 5/8	4	19 1/8	24 5/8	1 1/4	1	3	22	11 LBS.	20 x 25
EZ-2424	24 5/8	28 5/8	4	22 1/8	24 5/8	1 1/4	1	3	22	12 LBS.	24 x 24

NOTE: \*Accepts 1” or 2” Filter

FILTER NOT INCLUDED

Suitable For Use With Disposable Or  
Electrostatic Type Washable Filters

U.S. Patent No. 4,827,901

U.S. Patent No. 4,919,123

**E-Z FILTER BASE MFG., INC.**

P.O. BOX 180954 - DALLAS, TEXAS 75218-0954