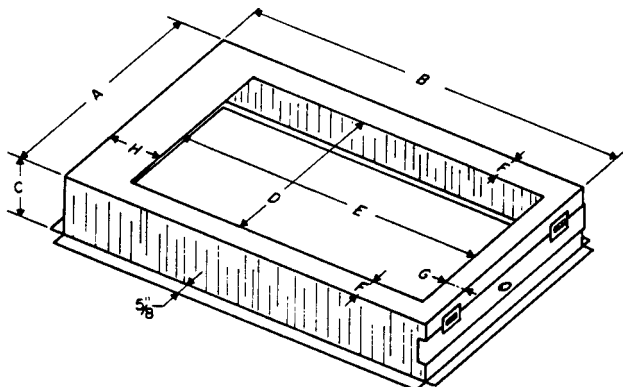
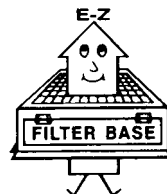


EASY ACCESS FAN/COIL/AHU FILTER BASE

“Make It E-Z For Your Customer”



- Lift Access Door - Remove Filter
- No Panels Or Door To Remove
- Use Standard Size Filters
- Keep Evaporator Coils Clean
- More Efficient - Heating & Cooling
- Customized Professional Installations
- Creates Customer Referrals
- Accepts 1” or 2” Filters



TRANE™

AHU Models And Filter Base Required

CONVERTIBLE AIR HANDLER	FILTER BASE REQUIRED	CONVERTIBLE AIR HANDLER	FILTER BASE REQUIRED	CONVERTIBLE AIR HANDLER	FILTER BASE REQUIRED
TWE060A	1-EZ-1620-FC 1-EZ-2020-FC	TWE120A	3-EZ-2025-FCN	TWE240B	3-EZ-2424 1-EZ-1625
TWE090A	2-EZ-2025-FCN	TWE180B	3-EZ-2025 1-EZ-1425		

Physical Data And Specifications

MODEL NUMBER	OVERALL			OPENING		TOP			GAUGE METAL	APPROX. WEIGHT	FILTER SIZE*
	A	B	C	D	E	F	G	H			
EZ-1620-FC	17 1/2	22	4	15	19	1 1/4	1	2	22	6 LBS.	16 X 20
EZ-2020-FC	21	22	4	18 1/2	19	1 1/4	1	2	22	6 1/2 LBS.	20 X 20
EZ-2025-FCN	22	25	4	19 1/2	21 5/8	1 1/4	1	2 1/2	22	7 LBS.	20 X 25
EZ-1425	14 1/4	28 5/8	4	11 3/4	24 5/8	1 1/4	1	3	22	9 LBS.	14 X 25
EZ-1625	17 5/8	28 5/8	4	15 1/8	24 5/8	1 1/4	1	3	22	10 LBS.	16 X 25
EZ-2025	21 5/8	28 5/8	4	19 1/8	24 5/8	1 1/4	1	3	22	11 LBS.	20 X 25
EZ-2424	24 5/8	28 5/8	4	22 1/8	24 5/8	1 1/4	1	3	22	12 LBS.	24 X 24

NOTE: *Accepts 1” Or 2” Filter
 FILTER NOT INCLUDED
 Suitable For Use With Disposable Or
 Electrostatic Type Washable Filters

U.S. Patent No. 4,827,901
 U.S. Patent No. 4,919,123

E-Z FILTER BASE MFG., INC.

P.O. Box 180854 - DALLAS, TEXAS 75218-0954