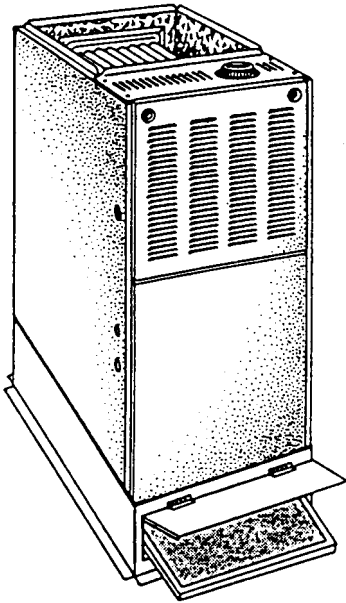


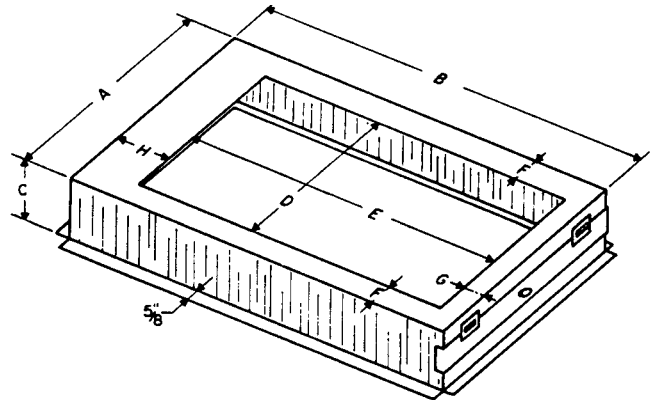
EASY ACCESS FURNACE-FAN/COIL UNIT FILTER BASE

“MAKE IT E-Z FOR YOUR CUSTOMER”



Typical Installation With
Upflow Gas Furnace

- Lift Access Door - Remove Filter
- No Furnace Panels Or Door To Remove
- Use Standard Size Filters
- Keep Evaporator Coils Clean
- More Efficient - Heating & Cooling
- Customized Professional Installations
- Creates Customer Referrals



Upflow / Horiz. Gas Furnace Physical Data And Specifications

MODEL NUMBER	OVERALL			OPENING		TOP			GAUGE METAL	APPROX. WEIGHT	FILTER SIZE*
	A	B	C	D	E	F	G	H			
EZ-1425	14 1/4	28 5/8	4	11 3/4	24 5/8	1 1/4	1	3	22	9 LBS.	14 x 25
EZ-1625	17 5/8	28 5/8	4	15 1/8	24 5/8	1 1/4	1	3	22	10 LBS.	16 x 25
EZ-2025	21 5/8	28 5/8	4	19 1/8	24 5/8	1 1/4	1	3	22	11 LBS.	20 x 25
EZ-2424	24 5/8	28 5/8	4	22 1/8	24 5/8	1 1/4	1	3	22	12 LBS.	24 x 24

Fan / Coil Unit Physical Data And Specifications

MODEL NUMBER	OVERALL			OPENING		TOP			GAUGE METAL	APPROX. WEIGHT	FILTER SIZE
	A	B	C	D	E	F	G	H			
EZ-1420-FC	14 1/4	22	4	11 3/4	19	1 1/4	1	2	22	5 LBS.	14 X 20
EZ-1620-FC	17 1/2	22	4	15	19	1 1/4	1	2	22	6 LBS.	16 X 20
EZ-2020-FC	21	22	4	18 1/2	19	1 1/4	1	2	22	6 1/2 LBS.	20 X 20
EZ-2025-FCW	25	22	4	22 1/2	19	1 1/4	1	2	22	7 LBS.	20 X 25
EZ-2025-FCN	22	25	4	19 1/2	21 5/8	1 1/4	1	2 1/2	22	7 LBS.	20 X 25
EZ-2719-FC	27 1/2	22	4	25	19	1 1/4	1	1 1/2	22	10 LBS.	19 X 27

NOTE: *Accepts 1" Or 2" Filters
FILTER NOT INCLUDED
suitable for use with disposable or
electrostatic type washable filters

U.S. Patent No. 4,827,901
U.S. Patent No. 4,919,123

E-Z FILTER BASE MFG., INC.

P.O. Box 180954 Dallas, Texas 75218-0954