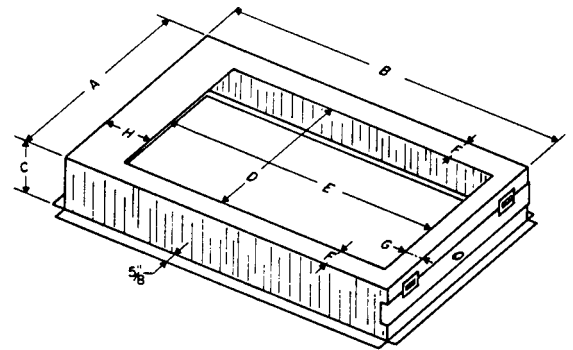
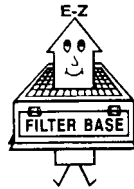
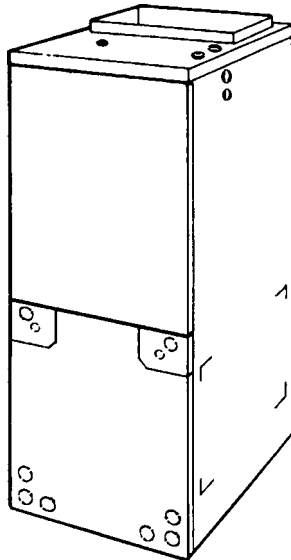


EASY ACCESS FAN/COIL UNIT FILTER BASE

“Make It E-Z For Your Customer”

- Lift Access Door - Remove Filter
- No Panels Or Door To Remove
- Use Standard Size Filters
- Keep Evaporator Coils Clean
- More Efficient - Heating & Cooling
- Customized Professional Installations
- Creates Customer Referrals
- Accepts 1” or 2” Filters



YORK®

Air Handler Models And Filter Base Required

AIR HANDLER MODEL F2RP / F2RC	FILTER BASE REQUIRED	AIR HANDLER MODEL F2RP / F2RC	FILTER BASE REQUIRED
018	EZ-1620-FC	036(RP)	EZ-2020-FC
024	EZ-1620-FC	042	EZ-2020-FC
030	EZ-1620-FC	048	EZ-2025-FCW
036(RC)	EZ-1620-FC	060	EZ-2025-FCW

Physical Data And Specifications

MODEL NUMBER	OVERALL			OPENING		TOP			GAUGE METAL	APPROX. WEIGHT	FILTER SIZE*
	A	B	C	D	E	F	G	H			
EZ-1420-FC	14 1/4	22	4	11 3/4	19	1 1/4	1	2	22	5 LBS.	14 X 20
EZ-1620-FC	17 1/2	22	4	15	19	1 1/4	1	2	22	6 LBS.	16 X 20
EZ-2020-FC	21	22	4	18 1/2	19	1 1/4	1	2	22	6 1/2 LBS.	20 X 20
EZ-2025-FCW	25	22	4	22 1/2	19	1 1/4	1	2	22	7 LBS.	20 X 25

NOTE: *Accepts 1” Or 2” Filter
 FILTER NOT INCLUDED
 Suitable For Use With Disposable Or
 Electrostatic Type Washable Filters

U.S. Patent No. 4,827,901
 U.S. Patent No. 4,919,123

E-Z FILTER BASE MFG., INC.

P.O. Box 180854 - DALLAS, TEXAS 75218-0954