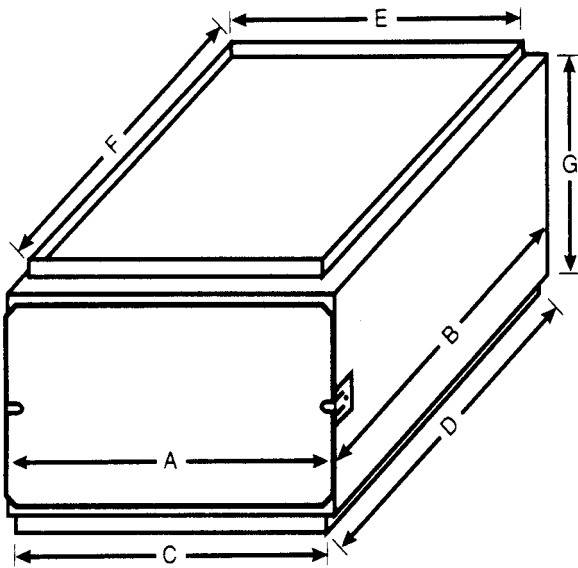


DOWNFLOW FURNACE FILTER ACCESS

“MAKE IT E-Z FOR YOUR CUSTOMER”



- No Furnace Panels Or Door To Remove
- Use Standard Size Filters
- Keep Evaporator Coils Clean
- More Efficient - Heating & Cooling
- Customized Professional Installations
- Creates Customer Referrals



Physical Data And Specifications

FURNACE MODELS	FILTER ACCESS REQUIRED			RET / PLENUM OPENING		RET / PLENUM OPENING		HEIGHT	NUMBER FILTERS REQUIRED	APPROX. WEIGHT LBS.
		A	B	C	D	E	F			
G8C05012MUB11	DFA-300	17 1/2	21	16 1/4	20 1/4	16 3/4	19 3/4	12	3 - 10 X 20 X 1	14
G8C07512MUB11	DFA-300	17 1/2	21	16 1/4	20 1/4	16 3/4	19 3/4	12	3 - 10 X 20 X 1	14
G8C07516MUC11	DFA-400	22	21	20	20 1/4	21 1/4	19 3/4	12	3 - 10 X 20 X 1	16
G8C10016MUC11	DFA-400	22	21	20	20 1/4	21 1/4	19 3/4	12	3 - 10 X 20 X 1	16
G8C10020MUD11	DFA-500	26 1/2	21	23 1/2	20 1/4	25 3/4	19 3/4	12	4 - 10 X 20 X 1	18
G8C12520MUD11	DFA-500	26 1/2	21	23 1/2	20 1/4	25 3/4	19 3/4	12	4 - 10 X 20 X 1	18
G8C15020MUD11	DFA-500	26 1/2	21	23 1/2	20 1/4	25 3/4	19 3/4	12	4 - 10 X 20 X 1	18

NOTE: FILTERS NOT INCLUDED...Suitable For Use With Disposable Or Electrostatic Filters.

E-Z FILTER BASE MFG., INC.

P.O. BOX 180954 - DALLAS, TEXAS 75218